

ERRATA: CBC34803-M5C

The errata listed below applies to CBC34803-M5C devices having the following date and lot codes:

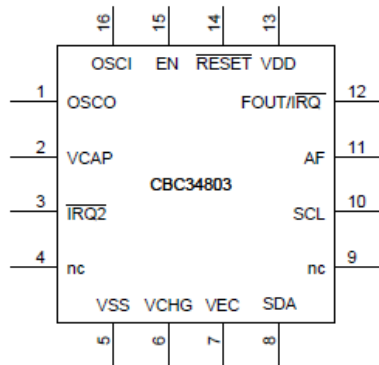
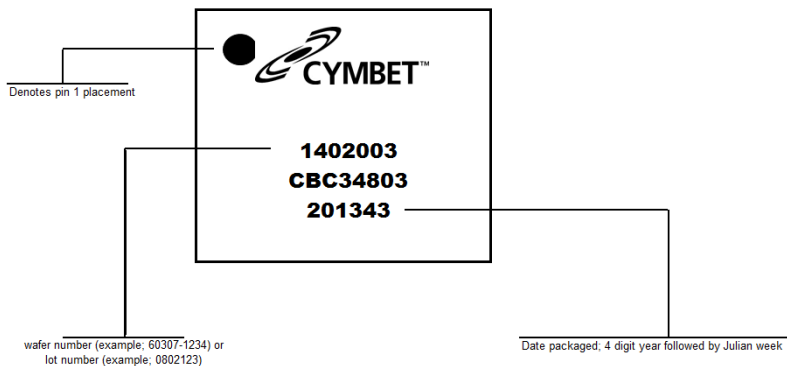
**Date code 201343 with Lot code 1402003, Date code 201411 with Lot code 1204006,
Date code 201414 with Lot code T55082**

The affected devices exhibit functionality different from that described in the product data sheet.

Description of deviation from product data sheet DS-72-34 CBC34803 EnerChip RTC:

The internal connection from the real-time clock (RTC) to package pin 12 (FOUT/nIRQ) is missing from the parts manufactured in the lot and date codes listed above. As a result, the clock signal generated by the RTC is not routed to package pin 12 as indicated in the CBC34803 data sheet. All other timing functions operate correctly.

This problem will be corrected on devices manufactured after April 7, 2014.



Pin 12 is not connected to the internal RTC on the affected parts. Treat this pin as a NO CONNECT.

Revision Number	Revision Date	Description	Pages Changed
1	January 7, 2014	Initial release	----
2	April 9, 2014	Identified additional Date/Lot Codes	1